



INSTALLATION MANUAL FOR SLIM PROFILE DOWNLIGHT - CCT SERIES

SAVE THESE INSTRUCTIONS - READ ALL INSTRUCTIONS CAREFULLY

WARNING



CAN ICES-005 (B) NMB-005 (B)

PLEASE READ ALL INSTRUCTIONS BEFORE ATTEMPTING INSTALLATION.

- To prevent personal injury or product damage only licensed electricians/personnel should install fixture.
- To avoid electric shock or component damage disconnect power before attempting installation or servicing.
- This product must be installed in accordance with the National Electric Code (NEC)/Canadian Electrical Code (CEC) and all applicable Federal, State/Provincial and Local Electric Codes and Safety Standards.
- Disconnect fixture and allow cooling prior to servicing.
- Any alteration or modification of this product is expressly forbidden as it may cause serious personal injury, death, property damage and/or product malfunction.
- To prevent product malfunction and/or electrical shock this product must be properly grounded.
- All parts must be used as indicated in the instructions. Do not substitute any parts, leave parts out, or use any parts that are worn, damaged or broken.
- CAN ICES-005 (B) NMB-005 (B).

RECOMMENDED DIMMER COMPATIBILITY LIST		
MANUFACTURER	PART NO.	TYPE
LUTRON	DVELV-300P	ELECTRONIC LOW VOLTAGE
LUTRON	SELV-300P	ELECTRONIC LOW VOLTAGE
LEVITON	IPE04-1LZ	ELECTRONIC LOW VOLTAGE
LEVITON	No. 6615	ELECTRONIC LOW VOLTAGE
WATTSTOPPER	HDCL-453M	LED / CFL
LUTRON	SFTU-5A3P	FLOURESCENT
LUTRON	DVCL-153P	LED / CFL / INCANDESCENT
LUTRON	CTCL-153P	LED / CFL / INCANDESCENT

TOOLS REQUIRED

1. SAW 2. MEASURING TAPE 3. ELECTRICAL WIRING
(USE TYPE AND GAUGE SUITABLE FOR APPLICATION TO CONNECT TO FIXTURE)

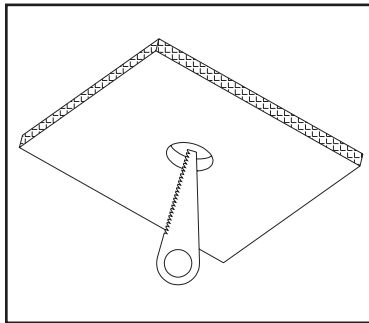
PRE-INSTALLATION

1. Turn power off at panel before starting installation.
2. Locate position to install fixture and cut hole in accordance with the Hole Cut Size Dimensions listed below.
3. Connect AC wire.
4. Install fixture in ceiling hole.
5. Turn power on and test. Installation complete.

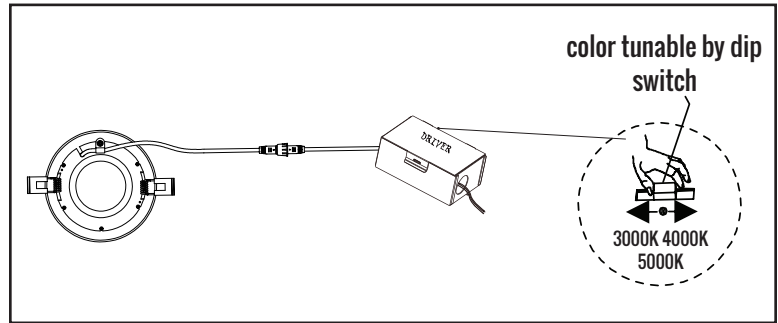
HOLE CUT SIZE

- 4" - 4.25" (108MM)
6" - 6.25" (158MM)

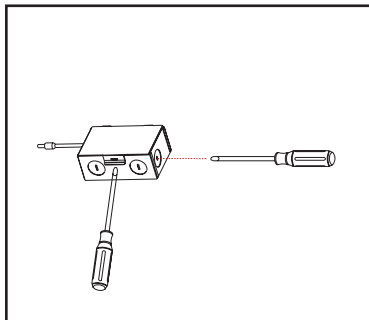
FIXTURE INSTALLATION



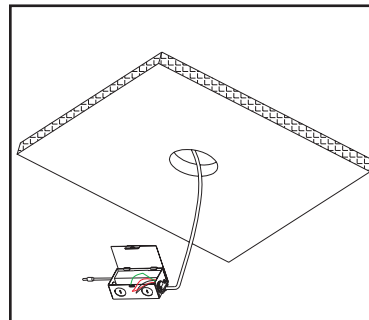
1. Drill hole on the ceiling (please check the hole size at model list table).



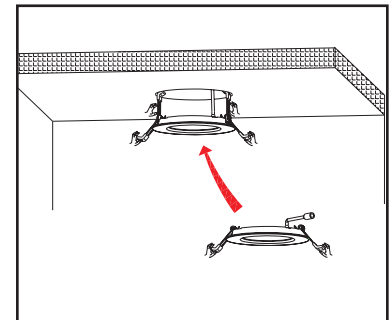
2. Before installation, please slide dip switch to the right color temperature on the wire .



2. (1)Rotate right-handed with slotted screwdriver to remove the top cover .
(2)Open the side knockout of the junction-box with slotted screwdriver.



3. Attach wires - Black - L / White - N / Yellow-Green - Ground.



4. Embed the light into the hole ceiling.